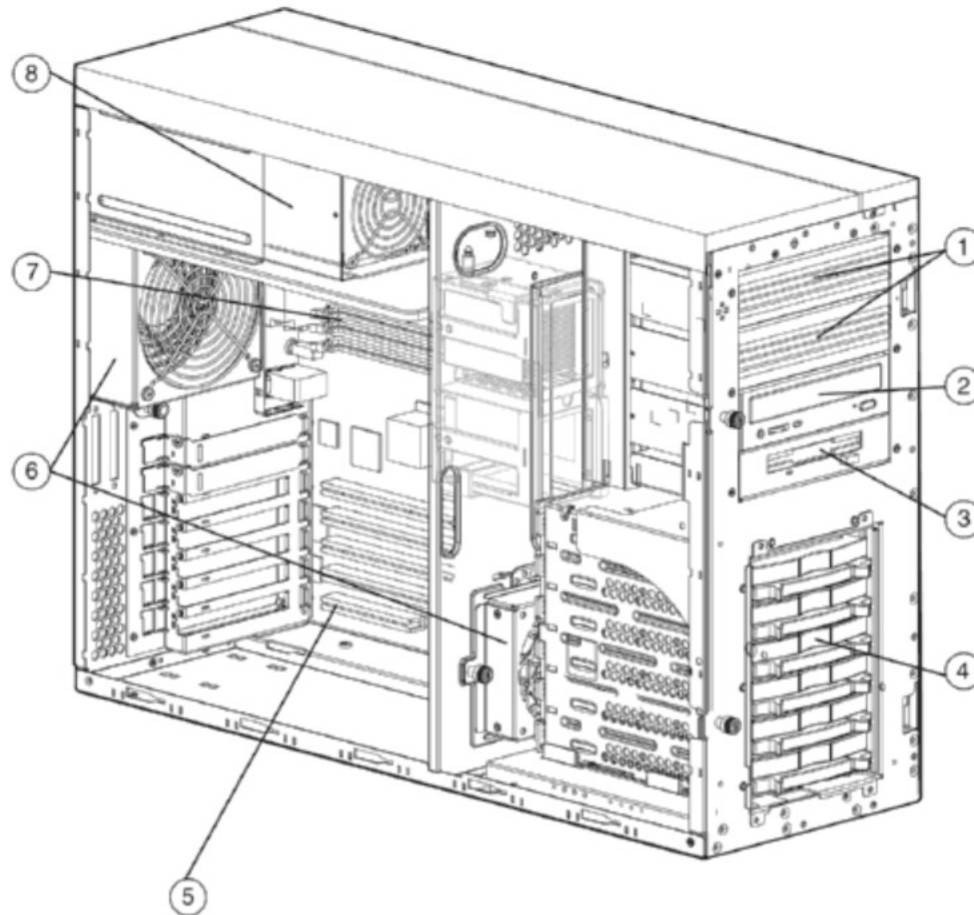


# QuickSpecs

## HP ProLiant ML350 Generation 3 (G3)

### Overview



1. Two Removable Media Bays
2. 48X Max IDE (ATAPI) CD-ROM Drive
3. 1.44 Diskette Drive
4. Six 1" Hot Plug Drive Bays
5. Five expansion slots (four 64-bit/100-MHz PCI-X, one 32-bit/33-MHz PCI)
6. System fan
7. Four DIMM sockets for up to 8GB of memory, optionally interleaved
8. Optional 2nd Power Supply for hot-pluggable 1+1 redundancy

### Overview

#### At A Glance

- The ProLiant ML350 G3 is an expandable rack or tower platform delivering affordable 2-way performance and essential availability to corporate workgroups and growing businesses
- Intel Xeon 3.06GHz processors (dual processor capability) with 512-KB level 2 cache standard (full speed) or 2.8 GHz with 1-MB level 3 cache and Hyper-Threading Technology
- ServerWorks Grand Champion LE Chipset
- Up to 533-MHz Front Side Bus (model dependent)
- Integrated Dual Channel Wide Ultra3 SCSI Adapter
- Smart Array 641 (standard in Array Models only)
- NC7760 PCI Gigabit Server Adapter (embedded)
- Up to 1 GB of 2-way interleaving capable PC2100 DDR SDRAM, with Advanced ECC capabilities (Expandable to 8GB)
- Flexible memory configurations allow interleaving (2x1) or non-interleaving
- Five expansion slots: four 64-bit/100-MHz PCI-X, one 32-bit/33-MHz PCI
- Two USB ports
- Standard 6 x 1" Wide Ultra320 ready Hot Plug Drive Cage
- Internal storage capacity of up to 1.80 TB (6 x 300 GB 1"), 2.40 TB (2 x 300 GB 1" + 6 x 300 GB 1") with optional 2-bay hot plug drive cage option
- 500W Hot-Pluggable Power Supply (standard) and an optional 500W Hot-Pluggable Redundant Power Supply (1+ 1) available
- Tool-free entry to chassis and access to components
- ROM based setup utility (RBSU) support and, redundant ROM
- Insight Manager, SmartStart, and Automatic Server Recovery (ASR-2)
- Protected by HP Services, including a three-year, next business day, on-site, limited global warranty and extended Pre-Failure Warranty.

# QuickSpecs

## HP ProLiant ML350 Generation 3 (G3)

### Standard Features

<b>Processor</b> <i>One of the following depending on Model</i>	Intel Xeon Processor 2.8 GHz/533-1MB Intel Xeon Processor 3.06 GHz/533-512KB
<b>Cache Memory</b>	Integrated 512-KB Level 2 cache (full speed)
<b>Upgradeability</b>	Upgradeable to dual processing
<b>Chipset</b>	ServerWorks Grand Champion LE Chipset with 400-MHz or 533-MHz Front Side Bus (model dependent) <b>NOTE:</b> For more information regarding ServerWorks, please see the following URL: <a href="http://www.serverworks.com/products/overview.html">http://www.serverworks.com/products/overview.html</a> .
<b>Memory</b> <i>One of the following depending on model</i>	2-way interleaving capable PC2100 DDR SDRAM running at 200MHz on 400MHz models or 266MHz on 533MHz models with Advanced ECC capabilities Standard (Non-Array Models) 512 MB Standard (Array Models) 1 GB Maximum 8 GB
<b>Network Controller</b>	NC7760 Gigabit Server Adapter (embedded)
<b>Expansion Slots</b>	I/O (5 Total, 5 Available) 64-bit/100MHz, PCI 4 (4 available) (Array model has 3 available) 32-bit/33MHz, PCI 1 (1 available) PCI Voltage: 3.3 Volt or universal cards 5 Volt or universal cards
<b>Storage Controller</b>	Integrated Dual Channel Wide Ultra3 SCSI Adapter Smart Array 641 Controller (Standard in Array Models with 2.8 GHz or greater processors only)
<b>Storage</b>	Diskette Drives 1.44 MB Optical Drive 48x IDE (ATAPI) CD-ROM Drive Hard Drives None Maximum Internal Storage 2.40 TB GB (6 x 300 GB 1" with standard internal hot plug drive cage + (2 x 300 GB 1") with optional ML3xx Two Bay Hot Plug SCSI Drive Cage) External Storage Two external SCSI knockouts available, optional ProLiant ML350 Internal to External

# QuickSpecs

## HP ProLiant ML350 Generation 3 (G3)

---

### Standard Features

<b>Interfaces</b>	Parallel	1
	Serial	1
	Pointing Device (Mouse)	1
	Graphics	1
	Keyboard	1
	Network RJ-45	1
	USB	2
	External SCSI knockouts	2

**NOTE:** Please see the following URL for additional information regarding USB support:  
<http://h18004.www1.hp.com/products/servers/platforms/usb-support.html>.

---

**Graphics** Integrated ATI RAGE XL Video Controller with 8-MB SDRAM Video Memory

---

**Form Factor** Tower or rack (5U)

**NOTE:** Rack models (and rack conversion kit) support:

- Square hole racks from 27"- 32" deep (including Compaq/HP 7000, 9000, 10000 and H9 series)
- Square or round hole racks, from 24"- 35" deep (including HP Rack System /E and HP Systems, with an adjustment)
- Telco racks with 3rd part option kit from Rack Solutions

<http://www.racksolutions.com/hp/index.html>

---