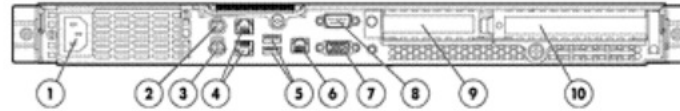
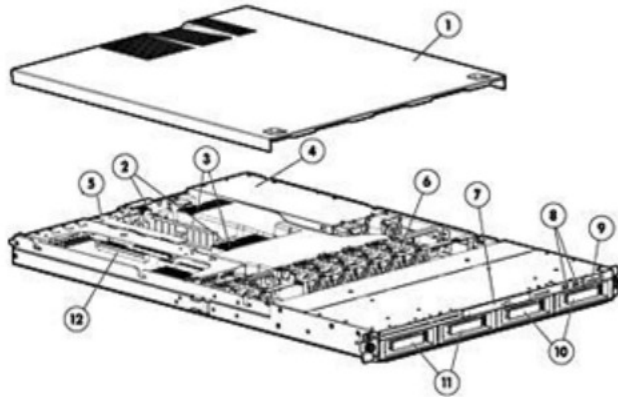


QuickSpecs

HP ProLiant DL165 Generation 5 (G5)

Overview

Hot Plug SAS/SATA or Non-Hot Plug SATA Models



Front View:

1. Access panel
2. Memory banks
3. Two (2) AMD Opteron 2300 series processors
4. Power supply
5. Low-profile PCI-Express or PCI-X slot
6. System fans
7. Optical drive bay
8. Front-panel USB 2.0 ports
9. Power switch/system status LEDs
10. Optional 3rd and 4th 3.5" hot-plug SAS/SATA or non-hot plug SATA hard drive bays
11. Standard 1st and 2nd 3.5" hot-plug SAS/SATA or non-hot plug SATA hard drive bays
12. Full height/full length PCI-Express or HTX slot

Rear View:

1. Power supply cable socket
2. PS/2 mouse port
3. PS/2 keyboard port
4. Two (2) RJ45 GbE LAN ports
5. Rear panel USB 2.0 ports
6. Lights-Out 100 10/100Mbps port
7. Video port
8. Serial port
9. Low-profile riser board assembly slot cover
10. Full-sized riser board assembly slot cover

What's New

- Support for SATA Hot Plug 3.5" Midline (MDL) Solid State Drives
- Support for SAS Hot Plug 3.5" Enterprise (ENT) Hard Drives

At A Glance

Introducing the HP ProLiant DL165G5, now available with the latest high performance Opteron Quad Core processors, increased

QuickSpecs

HP ProLiant DL165 Generation 5 (G5)

Overview

- Internal storage capacity:
 - SATA Capacity: Support for up to 4.0TB (4 x 1TB) with Hot Plug Model. 3.0TB (4 x 750GB) with Non Hot Plug Model
 - SAS Capacity: Support for up to 4.0 TB (4 x 1TB) with Hot Plug Model
 - NOTE: Installation of the Hot Plug Backplane 1U 2S Kit (445985-B21) is required if ordering third or fourth Hard Drives for Hot Plug models only.
- **Network Controller:**
 - Embedded NC7782 dual-port gigabit server adapter
- **Storage Controllers:**
 - Non-Hot Plug SATA Models: HP Embedded SATA Controller
NOTE: Raid support requires optional slot based raid controller.
 - Hot Plug SATA/SAS Models: HP SC40Ge SAS HBA with RAID 0,1
NOTE: When using the SC40Ge with SATA Hard Drives, 1.5G SATA Hard Drives are required.
- **Expansion Slots:**
 - Standard - PCI-Express assembly includes:
 - Slot 1: full-length/full height PCI-Express x16
 - Slot 2: half-length/low-profile PCI-Express x4 (x8 connector)
 - Optional - PCI-X assembly includes:
 - Slot 2: half-length/low-profile PCI-X 133 (note: PCI-X slots are 64 bits; 133 MHz capable)
 - Optional - HTX assembly includes: Slot 1: full-length/full height HTX
- **Infrastructure Management:**
 - HP ProLiant Lights Out 100i Remote Management support (IPMI 2.0 and SMASH support)
 - Virtual Media plus Virtual KVM support with LO100i Advanced license
 - HP Insight Control for Linux (IC-Linux), a product option, delivers essential infrastructure management that can help save time and money by making it easy to deploy, monitor, control and optimize your IT infrastructure through a single, simple management console. HP Insight Control for Linux supports Linux-based servers and management consoles.
- **USB Ports:**
 - Up to five USB ports (two front & two rear standard, 1 internal option)
- **Optical Drive:**
 - Support for one (optional): DVD-ROM, DVD/CD RW
- **Power Supply:**
 - 650W Power Supply standard (Non-Hot Plug, Autoswitching)
 - 500W High Efficiency Power Supply optional (Non-Hot Plug, Autoswitching)
- **Form Factor:**
 - Rack (1U)
 - Fixed mounting rails included with all models
- **Deployment/Serviceability:**
 - Tool-less access to all system components for easy in-rack serviceability
 - Customer Self Repair (CSR): HP products are designed with many CSR parts to minimize repair time and allow for greater flexibility in performing defective parts replacement
- **Warranty:**
 - This product is covered by a global limited warranty and supported by HP Services and a worldwide network of HP

Overview

<http://h18004.www1.hp.com/products/servers/platforms/warranty/index.html>

QuickSpecs

HP ProLiant DL165 Generation 5 (G5)

Standard Features

NOTE: For the Standard Features shipped in the "Factory Integrated Models", please see the "Configuration Information - Factory Integrated Models" section.

Processor One of the following depending on Model	AMD Opteron™ processor Model 2393SE (3.1GHz, 105W ACP) AMD Opteron™ processor Model 2389 (2.9GHz, 75W ACP) AMD Opteron™ processor Model 2384 (2.7GHz, 75W ACP) NOTE: Offered through Configure-To-Order only. See Factory Integrated Models section for more details. AMD Opteron™ processor Model 2381 HE (2.5GHz, 55W ACP) AMD Opteron™ processor Model 2380 (2.5GHz, 75W ACP) HP 2377EE DL165G5/G5p Kit AMD Opteron™ processor Model 23877 EE (2.3GHz, 50W ACP) AMD Opteron™ processor Model 2376 (2.3GHz, 75W ACP) NOTE: Offered through Configure-To-Order only. See Factory Integrated Models section for more details. AMD Opteron™ processor Model 2374HE (2.2GHz, 55W ACP)
---	---

Upgradeability	Upgradeable to two processors
-----------------------	-------------------------------

Chipset	ServerWorks HT2100 and HT1000
----------------	-------------------------------

Cache Memory	Model Series 234x to 236x 128K dedicated L1 per core 512K dedicated L2 per core 2MB shared L3 Model Series 237x to 238x 6MB shared L3
---------------------	--

Memory Protection	Advanced ECC
--------------------------	--------------

Memory One of the following depending on Model	Type	REG PC2-6400 DIMMs (DDR2-800) REG PC2-5300 DIMMs (DDR2-667)
	Standard	2 GB (2 x 1 GB)

QuickSpecs

HP ProLiant DL165 Generation 5 (G5)

Standard Features

Expansion Slots #	Technology	Bus Width**	Connector Width	Bus Number*	Form Factor	Notes
1	PCI Express	x16	x16	3	Full Height/Full Length	
1	HTX	N/A	N/A	9	Full Height/Full Length	
2	PCI Express	x4	x8	6	Low-profile	
2	PCI-X	64-bit, 133MHz	N/A	2	Low-profile	

* Default bus assignment. Inserting cards with PCI bridges may alter the actual bus assignment number.

** Slots are enumerated differently based on OS. MS OS's enumerate from lowest to highest Device ID by bus (starting with the lowest bus).

Storage Controller	Non-Hot Plug SATA	HP Embedded SATA Controller NOTE: Raid support requires optional slot based raid controller.
	Hot Plug SATA/SAS	HP SC40Ge SAS HBA with RAID 0,1 NOTE: When using the SC40Ge with SATA Hard Drives, 1.5G SATA Hard Drives are required.
NOTE: A diskette drive is needed to install storage controller drivers during a Windows operating system installation from CD.		

Storage	Diskette Drives	Via USB only
	Optical Drives	Optional 8x IDE (ATAPI) DVD-ROM drive, slim Optional 24x IDE (ATAPI) DVD-ROM/CDRW drive
	Hard Drives	Up to 4 Non-hot plug SATA 3.5" drives Up to 4 Hot plug SATA /SAS 3.5" drives

Maximum Internal Storage	Non-Hot Plug SATA	3.0TB	4 x 750GB
	Hot Plug SATA	4.0TB	4 x 1TB
	Hot Plug SAS	4.0TB	4 x 1TB

Interfaces	Parallel	None
	Network RJ-45(Ethernet)	Embedded NC7782 dual-port gigabit server adapter
	Serial	1
	Pointing Device (Mouse)	1