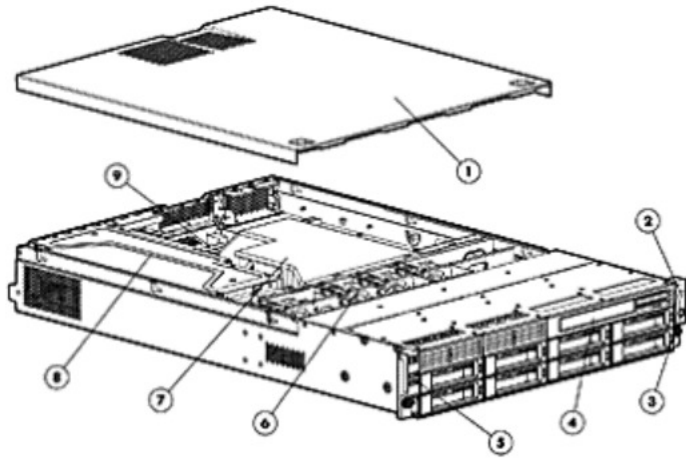


QuickSpecs

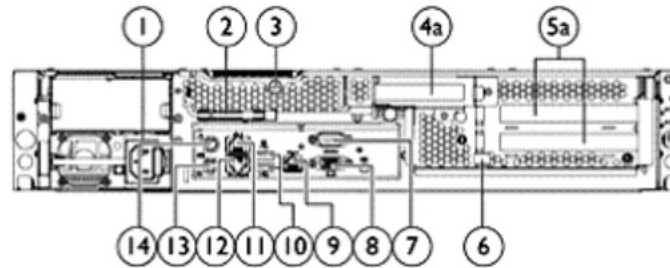
HP ProLiant DL185 Generation 5 (G5)

Overview



Front View:

1. Access panel
2. Front LED Indicators
3. Power on/off
4. Optional DVD-RW or DVD-ROM drive
5. Front USB Ports (2)
6. Non-Hot Plug Non redundant fans (4 fans)
7. Air Baffle
8. PCI Cage
9. System Board



Rear View:

1. Power Supply Cable Socket
2. T10/T15 Wrench
3. Thumbscrew For Top Cover
4. Low Profile Card Slot
5. PCI Expansion Card Slot (top is slot 2, bottom is slot 1)
6. Thumbscrew For PCI Cage
7. Serial Port
8. VGA Port
9. Management LAN Port
10. Two USB 2.0 Ports
11. GbE LAN Port For NIC2
12. GbE LAN Port For NIC1
13. PS/2 Keyboard Port (purple)
14. PS/2 Mouse Port (green)

What's New

- Support for SATA Hot Plug 3.5" Midline (MDL) Hard Drives
- Support for Smart Array Controller with BBWC

Overview

- Supports up to 64 GB PC2-5300 DIMMs (DDR2-667) with Advanced ECC
- **Internal Drive Support:**
 - Internal storage capacity (up to 14 hard drives via CTO or up to 12 hard drives via BTO)
 - 8 hard drive models:
 - SAS/SATA Capacity: Supports up to 16.0TB (8 x 2TB)
 - 12 hard drive models:
 - SAS/SATA Capacity: Supports up to 24.0TB (12 x 2TB)
 - Optional 14 drive support available with Rear 2 Hard Drive Kit
NOTE: Available via CTO only
 - SAS/SATA Capacity: 24.0TB (14 x 2TB)
- **Network Controller:**
 - Embedded NC7782 Dual Port PCI-X 10/100/1000T Gigabit network adapter
- **Storage Controllers:**
 - 8 hard drive models
 - HP Smart Array E200/128 BBWC Controller
 - 12 hard drive models
 - HP Smart Array P400/256MB Controller
- **Expansion Slots:**
 - Standard Riser: (1) x4 PCI-E (LP), (2) x8 PCI-E (FL/FH)
 - Option 1: (1) x4 PCI-E (LP), (2) 100MHz PCI-X 64-bit
 - Option 2: Rear DVD optional riser, (2) x8 PCI-e FL/FH slots (12HDD model only, replaces LP PCI-e slot)
 - Option 3: (1)x4 PCI-E (LP), Rear dual HDDs (12HDD model only, replaces all FL/FH PCI-e slots)
- **Infrastructure Management:**
 - HP ProLiant Lights Out 100i Remote Management support (IPMI 2.0 and SMASH support)
 - Virtual Media plus Virtual KVM support with LO100i Advanced license
 - HP Insight Control for Linux, a product option, delivers essential infrastructure management that can help save time and money by making it easy to deploy, migrate, monitor, control and optimize your IT infrastructure through a single, simple management console. Insight Control for Linux supports Linux-based central management servers.
- **USB Ports:**
 - Five USB ports (2) up front, (2) rear, (1) internal (optional)
- **Optical Drive:**
 - Support for one (optional): Multi-bay DVD
 - **NOTE:** For 12 hard drive models, optical drive support is available via rear DVD cage kit (P/N 513168-B21).
DVD Drive not included.
 - Optional Floppy (USB only, USB key)
- **Power Supply:**
 - 750W Power Supply (Hot Plug, Autoswitching) ships standard
 - High Efficiency 1200W Power Supply (Redundant Hot Plug, Autoswitching) (Optional) CSCI 2007/2008
 - **NOTE:** Climate Savers Computing Initiative, 2007-2008 Listed Compliant)
- **Form Factor:**
 - Rack (2U), (3.5 in/8.89 cm)
- **Deployment/Serviceability:**

Overview

business day response. Warranty repairs may be accomplished through the use of Customer Self Repair (CSR) parts. These parts fall into two categories: 1) Mandatory CSR parts are designed for easy replacement. A travel and labor charge will result when customers decline to replace a Mandatory CSR part; 2) Optional CSR parts are also designed for easy replacement but may involve added complexity. Customers may choose to have HP replace Optional CSR parts at no charge. Additional information regarding worldwide limited warranty and technical support is available at: <http://h18004.www1.hp.com/products/servers/platforms/warranty/index.html>.

Standard Features

NOTE: For the Standard Features shipped in the "Factory Integrated Models", please see the "Configuration Information - Factory Integrated Models" section.

Processor One of the following depending on Model	AMD Opteron™ processor Quad-Core Model 2389 (2.9 GHz, 75W ACP) AMD Opteron™ processor Quad-Core Model 2384 (2.7 GHz, 75W ACP) AMD Opteron™ processor Quad-Core Model 2380 (2.5 GHz, 75W ACP) AMD Opteron™ processor Quad-Core Model 2379 (2.4 GHz, 55W ACP) AMD Opteron™ processor Quad-Core Model 2376 (2.3 GHz, 75W ACP) AMD Opteron™ processor Quad-Core Model 2374HE (2.2 GHz, 55W ACP) AMD Opteron™ processor Quad-Core Model 2356 (2.3 GHz, 75W ACP) AMD Opteron™ processor Quad-Core Model 2354 (2.2 GHz, 75W ACP) AMD Opteron™ processor Quad-Core Model 2352 (2.1 GHz, 75W ACP) AMD Opteron™ processor Quad-Core Model 2346HE (1.8 GHz, 55W ACP) AMD Opteron™ processor Quad-Core Model 2344HE (1.7 GHz, 55W ACP) NOTE: Processor wattage references reflect Average CPU Power (ACP). For more information on ACP visit: http://www.amd.com/powernow .
---	---

Upgradeability	Upgradeable to two processors
-----------------------	-------------------------------

Chipset	ServerWorks HT2100 and HT1000
----------------	-------------------------------

Cache Memory One of the following depending on Model	4 x 512 KB Level 2 cache and 6 MB shared Level 3 cache (2300 sequence) 4 x 512 KB Level 2 cache and 2 MB shared Level 3 cache (2300 sequence) 2 x 1 MB Level 2 cache (2200 sequence)
--	--

Memory Protection	Advanced ECC capabilities
--------------------------	---------------------------

QuickSpecs

HP ProLiant DL185 Generation 5 (G5)

Standard Features

Memory One of the following depending on Model	Type	REG PC2-5300 DIMMs (DDR2-667)	
		NOTE: DIMM banks are active only when the corresponding processor socket is populated.	
	Standard - 2200 series (8 Hard Drive Model)	1 GB	(2 x 512 MB)
	Standard - 2300 series (8 Hard Drive Model)	2 GB	(2 x 1 GB)
	Standard (12 Hard Drive Model)	4 GB	(2 x 2 GB)
	Maximum	64 GB	(8 x 8 GB)
	Type	REG PC2-6400 DIMMs (DDR2-800)	
	Standard - 2300 series (8 Hard Drive Model)	2 GB	(2 x 1 GB)
		4 GB	(2 x 2 GB)
	Standard (12 Hard Drive Model)	4 GB	(2 x 2 GB)
Maximum	32 GB	(8 x 4 GB)	

Network Controller Embedded NC7782 Dual Port PCI-X 10/100/1000T Gigabit network adapter

Expansion Slots #	Technology	Bus Width	Connector Width*	Bus Number**	Form Factor	Notes
1	PCI-Express	x8	x8	4	Full Length/ Full Height	
2	PCI-Express	x8	x8	3	Full Length/ Full Height	
3	PCI-Express	x4	x8	5	Low Profile	
1*	PCI-X	64-bit	N/A	Dynamic	Low Profile	Device Number 1
2*	PCI-X	1333	N/A	Dynamic	Low-Profile	Device Number 2

* Optional - With PCI-X riser installed, replacing Full Length/Full Height PCI-e slots.

** Slots are enumerated differently based on OS. MS OS's enumerate from lowest to highest Device ID by bus (starting with the lowest bus).

Storage Controller 8 Hard Drive Models HP Smart Array E200/128 BBWC Controller

QuickSpecs

HP ProLiant DL185 Generation 5 (G5)

Standard Features

Storage	Diskette Drive	Via USB only	
	Optical Drives	None standard Optional 8x DVD-RW drive, slim NOTE: For 12 hard drive models, optical drive support is available via rear DVD cage kit (P/N 513168-B21).	
	Hard Drives	None Standard NOTE: Up to 14 Hot Plug SAS/SATA 3.5" hard drives supported via installation of the Rear 2 Hard Drive Option Kit (P/N 449736-B21). Supports 12 hard drive server models only. Hard Drives not included.	

Maximum Internal Storage	Hot Plug SATA	24.0TB	14 x 2TB
	Hot Plug SAS	14.0TB	14 x 1TB

NOTE: Fourteen (14) hard drives are available via CTO only with the Rear 2 Hard Drive Kit. For additional information; please see the Configuration to Order section in this QuickSpecs.

Interfaces	Network RJ-45 (Ethernet)	2 10/100/1000 NIC ports (plus 1 dedicated for the HP ProLiant Lights Out 100i Remote Management)	
	Serial	1	
	Pointing Device (Mouse)	1	
	Graphics	1	
	Keyboard	1	
	USB	5 total ports: (2) USB up front, (2) port rear, (1) port internal (optional) NOTE: Please see the following URL for additional information regarding USB support: http://h18004.www1.hp.com/products/servers/platforms/usb-support.html .	

Graphics	32 MB shared supporting 1600x1200x16M resolution	
----------	--	--

Form Factor	Rack (2U), (3.5 in/8.89 cm)	
-------------	-----------------------------	--

Embedded Manageability	Lights-Out 100i	HP Lights-Out 100i Remote Management delivers affordable, entry level remote management capabilities for HP ProLiant 100 Series servers with embedded LO100i. It allows customers or their service providers to remotely	
------------------------	-----------------	--	--