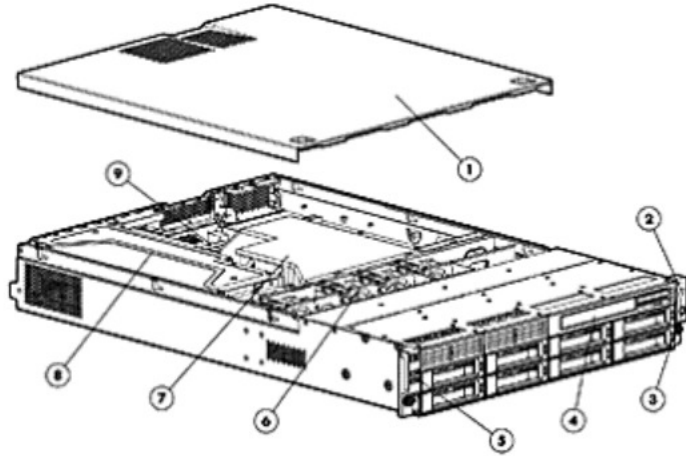


# QuickSpecs

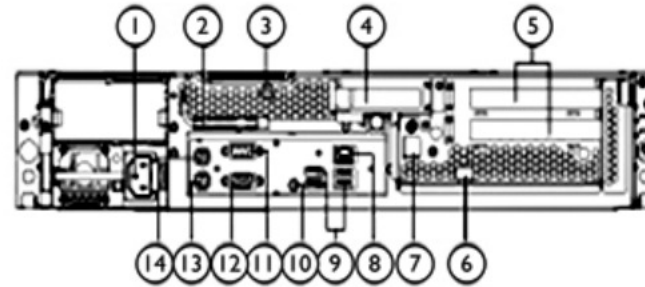
HP ProLiant DL180 Generation 5 (G5)

## Overview



### Front View:

1. Access panel
2. Front LED Indicators
3. Power on/off
4. Optional DVD-RW or DVD-ROM drive
5. Front USB Ports (2)
6. Non-Hot Plug Non Redundant fans (4 fans)
7. Air Baffle
8. PCI Cage
9. System Board



### Rear View:

1. Power Supply Cable Socket
2. T-15/T-10 Screwdriver
3. Thumbscrew For Top Cover
4. Low Profile Card Slot
5. PCI Expansion Card Slot
6. Thumbscrew For PCI Cage
7. HP LO100c Management Card Port (Optional)
8. LAN Port
9. 4 USB 2.0 Ports
10. UID LED Button
11. Serial Port
12. VGA Port
13. PS/2 Mouse Port (green)
14. PS/2 Keyboard Port (purple)

## What's New

- Support for SAS Hot Plug Enterprise(ENT) Hard Drives
- Support for SATA Hot Plug Midline (MDL) Hard Drives

## At A Glance

The HP ProLiant DL180 G5 is a low cost high capacity storage optimized 2 way server that delivers on a history of design excellence.

### Overview

- Hot Plug Serial Attached SCSI (SAS) 3.5" hard drives  
NOTE: 4 hard drives are supported standard via BTO. 8 hard drive support requires the addition of a Smart Array or HBA controller. Hot Plug and SAS functionality require the addition of a Smart Array or HBA controller. 12 hard drive support available via CTO only and requires a SAS controller that supports expanders.
- Internal storage capacity:
  - SATA Models: Up to 12.0TB (12 x 1TB Hot Plug 3.5" hard drives)
  - SAS Model: Up to 12.0TB (12 x 1TB Hot Plug 3.5" hard drives)
- **Network Controller:**
  - One integrated NC105i PCI-e Gigabit NIC (embedded) (Wake on LAN and PXE capable)
- **Storage Controllers:**
  - HP Embedded SATA RAID Controller (up to 4 hard drive support on standard BTO models)  
NOTE: Transfer rate 1.5 Gb/s SATA
- **Expansion Slots:**
  - One available Low Profile x8 PCI-Express slot using a Low profile Riser.
  - Two Full Height/ Full Length Riser options
    - Option1: 2 full-length/full-height PCI-Express x8 connector slots (x4 electrical - Standard)
    - Option2: full-length/full-height riser with 2 PCI-X Slots(Optional)
- **Infrastructure Management:**
  - Optional HP Lights Out 100c Remote Management card with Virtual KVM and Virtual Media support (includes IPMI2.0 and SMASH support)
- **USB Ports:**
  - Seven USB ports (2) front, (4) rear, (1) internal
- **Optical Drive:**
  - Support for one:
    - Optional Multi-bay DVD
    - Optional Floppy (USB only, USB key)
- **Power Supply:**
  - 750W Power Supply (Optional Redundancy Hot Plug, Autoswitching) CSCI 2007/8
  - 1200W High Efficiency Power Supply (Optional Redundancy Hot Plug, Autoswitching) (Optional) CSCI 2007/8
    - NOTE: Climate Savers Computing Initiative, 2007-2008 Compliant
- **Form Factor:**
  - 2U rack models
- **Deployment/Serviceability:**
  - Tooled access to all system components for easy in rack serviceability
  - Customer Self Repair (CSR): HP products are designed with many CSR parts to minimize repair time and allow for greater flexibility in performing defective parts replacement
- **Warranty:**
  - This product is covered by a global limited warranty and supported by HP Services and a worldwide network of HP Authorized Channel Partners. Hardware diagnostic support and repair is available for one year from date of purchase (3-1-1 warranty in AP and Brazil). Support for software and initial setup is available for 90 days from date of purchase. Enhancements to warranty services are available through HP Care Pack services or customized service agreements. Hard drives have either a one year or three year warranty; refer to the specific hard drive QuickSpecs for details.

### Standard Features

NOTE: For a brief, printer friendly data sheet that describes this product and informs you of the essential capabilities and specifications, please visit: <http://h71028.www7.hp.com/ERC/downloads/4AA1-2747EEW.pdf>

NOTE: For the Standard Features shipped in the Factory Integrated Models, please see the "Configuration Information - Factory Integrated Models" section.

#### Processor

One of the following depending on Model

Quad-Core Intel® Xeon® processor L5420 (2.50 GHz, 50W, 1333MHz FSB)

NOTE: Available through Configure To Order only. See Factory Integration Models section for more details.

Quad-Core Intel® Xeon® processor L5410 (2.33 GHz, 50W, 1333MHz FSB)

NOTE: Available through Configure To Order only. See Factory Integration Models section for more details.

Quad-Core Intel® Xeon® processor E5450 (3.0 GHz, 80W, 1333MHz FSB)

NOTE: Available through Configure To Order only. See Factory Integration Models section for more details.

Quad-Core Intel® Xeon® processor E5440 (2.83 GHz, 80W, 1333MHz FSB)

NOTE: Available through Configure To Order only. See Factory Integration Models section for more details.

Quad-Core Intel® Xeon® processor E5430 (2.66 GHz, 80W, 1333MHz FSB)

NOTE: Available through Configure To Order only. See Factory Integration Models section for more details.

Quad-Core Intel® Xeon® processor E5420 (2.50 GHz, 80W, 1333MHz FSB)

Quad-Core Intel® Xeon® processor E5405 (2.00 GHz, 80W, 1333MHz FSB)

Dual-Core Intel® Xeon® processor E5205 (1.86 GHz, 65W, 1066MHz FSB)

NOTE: Available through Configure To Order only. See Factory Integration Models section for more details.

---

#### Upgradeability

Upgradeable to two processors

---

#### Chipset

Intel® 5100 Chipset

---

#### Cache Memory

12MB (2 x 6MB) Level 2 cache (5400 sequence)

---

#### Memory Protection

Registered Advanced ECC memory

---

#### Memory

Type

PC2-5300 DIMMs (DDR2-667)

# QuickSpecs

## HP ProLiant DL180 Generation 5 (G5)

### Standard Features

**Network Controller** One NC105i PCI-E Gigabit NIC (embedded) (Wake on LAN and PXE capable)

---

Expansion Slots	Slot Number	Bus Speed	Bus Number*	Device Number**	Hot Plug (Y/N)	PCI Voltage	Notes
	3	x8 PCI-Express	3	1	N	3.3 volts	Low Profile
	1	x4 PCI-Express	5	0	N	3.3 volts	Full Length Full Height
	2	x4 PCI-Express	6	0	N	3.3 volts	Full length Full Height
	1	PCI-X***	Dynamic	1	N	3.3 volts	Full Length Full Height
	2	PCI-X***	Dynamic	2	N	3.3 volts	Full Length Full Height

NOTE: All slots can accept universal keyed PCI cards

\* Default bus assignment. Inserting cards with PCI bridges may alter the actual bus assignment number.

\*\* Slots are enumerated differently based on OS. MS OS's enumerate from lowest to highest Device ID by bus (starting with the lowest bus).

\*\*\* PCI-X bus speed will be 133MHz when only one PCI-X card is installed. It will be 100MHz when both slots have PCI-X cards installed.

---

**Storage Controller** 4HDD Models HP Embedded SATA RAID Controller (integrated into the south-bridge) supporting SW RAID 0,1  
NOTE: Transfer rate 1.5 Gb/s SATA.

NOTE: A diskette drive is needed to install storage controller drivers during a Windows operating system installation from a CD.

---

**Storage**

Diskette Drives	Via USB only
Optical Drives	Optional HP Slim SATA DVD-ROM Optical Drive Optional HP Slim SATA DVD RW Optical Drive NOTE: Optical drives can only be installed on 8 bay hard drive models.
Drive Bays	Up to 12 Hot Plug SAS/SATA 3.5" drives (4 drive bays standard) NOTE: 4 Drive Models are Non-Hot Pluggable. Smart Array Controller must be added for Hot Plug drive capability. 4 Drive Models can be upgraded with the addition of a Smart Array Controller and a SAS/SATA Multi-lane

# QuickSpecs

## HP ProLiant DL180 Generation 5 (G5)

### Standard Features

Interfaces	Parallel	None
	Network RJ-45 (Ethernet)	1 10/100/1000 NIC port (plus 1 optional for the HP ProLiant Lights Out 100c Remote Management Card)
	Serial	1
	Pointing Device (Mouse)	1
	Graphics	1
	Keyboard	1
	USB	7 total ports: (2) front, (4) rear, (1) internal NOTE: Please see the following URL for additional information regarding USB support: <a href="http://h18004.www1.hp.com/products/servers/platforms/usb-support.html">http://h18004.www1.hp.com/products/servers/platforms/usb-support.html</a> .

---

Graphics	32MB shared supporting 1600 x 1200 x 16M resolution.
----------	--

---

Form Factor	Rack (2U), (3.5 in/8.89 cm)
-------------	-----------------------------

---

Remote Management	Lights-Out 100c	Lights Out LO100c is a family of Remote Management Card (RMC) for HP ProLiant 100 series servers that do not have embedded LO100i. The LO100c has all the features of the LO100i Advanced license and allows customers, or their service providers, to remotely manage ProLiant servers over a LAN or the Internet from anywhere, anytime regardless whether the server is located in the same building, across town, or around the globe.
-------------------	-----------------	--

With LO100c, users can acquire complete remote control with Virtual KVM (graphical hardware-based, remote console). Users can also access the server's serial console, control system power, update system firmware and software, as well as monitor system environmental conditions. The LO100c remote management card can be accessed from a web browser or command line interface. This virtual "at-the-server" functionality means administrators stay in control of remote HP ProLiant 100 series servers.

The HP Lights-Out100c consists of a management processor and firmware that provides cost-effective, entry-level lights-out functionality, basic system board management functions, and diagnostics.

NOTE: For more information, please refer to the QuickSpecs for the LO100c found at::