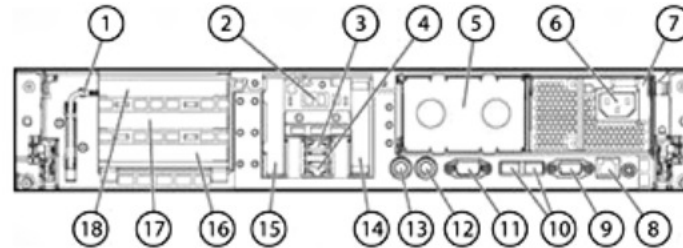
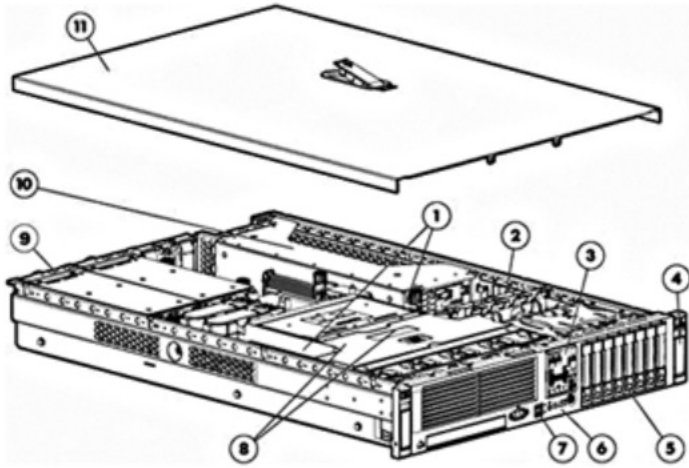


QuickSpecs

HP ProLiant DL385 Generation 5 (G5)

Overview



Front View:

1. Eight sockets for PC2-5300 DIMMs (DDR2-667) with Advanced ECC
2. Hot-plug fans, full redundancy
3. Systems Insight Display
4. Quick release lever for rapid server access
5. Support for eight Small Form Factor hot plug hard drives bays
6. Front LEDs (show server status) and Unit Identification button/LED (for easy in rack server identification)
7. Two front USB ports (+two rear, one internal USB port)
8. AMD Quad-Core Processor (Performance models include two processors)
9. Hot plug power supply, redundancy option (High performance models include redundant power supply)
10. Three PCI-E non-hot plug expansion slots (or optional mixed PCI-X/E expansion cage or optional x16 PCI-E 225W expansion cage). Two additional PCI-E slots embedded on system board. This provides Four available PCI-E non-hot plug expansion slots for use: one consumed by Smart Array

Rear View:

1. T-10/T-15 Torx screwdriver
2. External option blank
3. NIC 2 connector
4. NIC 1 connector
5. Power supply bay 2
6. Power cord connector
7. Power supply bay 1 (populated)
8. Integrated Lights-Out 2 (iLO 2) connector
9. Video connector
10. USB connectors (2)
11. Serial connector
12. Mouse connector
13. Keyboard connector
14. Expansion slot 1
15. Expansion slot 2
16. Expansion slot 3
17. Expansion slot 4

Overview

The new HP ProLiant DL385 G5 delivers on the DL385 performance and the DL380's history of design excellence with enterprise-class uptime and manageability, and now with Quad-Core AMD Opteron™ performance, power, efficiency, and 2U density for a variety of rack deployments and applications.

- **Processors:**
 - AMD Quad-Core, 2300 series processors with 2MB (4 x 512KB) Level 2 cache and 2MB (1 x 2MB) Level 3 cache for blazing performance; systems support up to 2 processors (2 processors standard on all Performance models)
 - Preconfigured Performance models save valuable deployment time at a discounted bundle price
 - Serverworks HT-2100 Northbridge and HT-1000 Southbridge chipset
- **Memory:**
 - 8 DIMM slots supporting up to 64GB REG PC2-5300 DDR2-667 MHz memory with Advanced ECC
 - Select models support 2:1 Interleaving. Bank Interleaving (Data saved across 2 pairs of DIMMs) and Node interleaving support (data saved across 2 processors memory sets) also available
- **Storage Controller:**
 - Entry/High Efficiency Models: HP Smart Array E200/64MB Controller (RAID 0/1/5)
 - Upgrade to 128 MB cache, adds Raid 5 and BBWC
 - The Smart Array E200/64MB Controllers ships installed in slot 3 (slots 1,2,4,&5 available)
 - Base Models: HP Smart Array P400/256MB Controller (RAID 0/1/1+0/5)
 - Upgrade to 512 MB cache w/o Battery Backed Cache module, optional BBWC
 - The Smart Array P400/256MB Controller ships installed in slot 1 (slots 2-5 are available)
 - Performance Models: HP Smart Array P400/512MB BBCW Controller (RAID 0/1/5/6)
- **Internal Drive Support:**
 - (8) small form factor (SFF) hot-plug drive bays to support Serial-attached SCSI (SAS) and Serial ATA (SATA) drives
- **Network Controller:**
 - Two embedded NC373i Multifunction Gigabit Network Adapters with TCP/IP Offload Engine, including support for Accelerated iSCSI through an optional Licensing Kit
- **Expansion Slots:**
 - 4 Total PCI-Express slots: three x8 and one x4
 - Optional mixed 2 PCI-X / two x8 PCI-Express
 - Optional cage with PCI-Express with one x8; one x16 (225W) and one x4 configurations available
- **USB 2.0 Ports:**
 - 5 total ports: (2) ports up front; (2) ports in back; (1) port internal
- **Graphics Processing Unit (GPU):**
 - Support for Nvidia FX5600 1.5GB PCIe
- **Redundancy:**
 - Fully redundant hot plug fans
 - Hot plug power supply with optional redundancy (included in Performance models)
- **Management:**
 - HP Insight Control suite delivers essential management, including proactive health management, lights out remote control, optimization of power usage, rapid server deployment, performance analysis, vulnerability scanning and patch management and virtual machine management. For more information, go to: www.hp.com/go/ice.
 - HP ProLiant Onboard Administrator (powered by the Integrated Light-Out 2 management processor) for simplified

Overview

- Quick Deploy Rail System includes sliding universal rails, an ambidextrous cable management arm and quick release levers for fast and easy serviceability
- Tool-less access to all system components for easy in rack serviceability
- Customer Self Repair (CSR): HP products are designed with many CSR parts to minimize repair time and allow for greater flexibility in performing defective parts replacement
- **Warranty:**
 - This product is covered by a global limited warranty and supported by HP Services and a worldwide network of HP Authorized Channel Partners resellers. Hardware diagnostic support and repair is available for three years from date of purchase. Support for software and initial setup is available for 90 days from date of purchase. Enhancements to warranty services are available through HP Care Pack services or customized service agreements. SATA hard drives have a one-year warranty.
NOTE: Server Warranty includes 3-Year Parts, 3-Year Labor, 3-Year Onsite support with next business day response. Warranty repairs may be accomplished through the use of Customer Self Repair (CSR) parts. These parts fall into two categories: 1) Mandatory CSR parts are designed for easy replacement. A travel and labor charge will result when customers decline to replace a Mandatory CSR part; 2) Optional CSR parts are also designed for easy replacement but may involve added complexity. Customers may choose to have HP replace Optional CSR parts at no charge. Additional information regarding worldwide limited warranty and technical support is available at:
<http://h18004.www1.hp.com/products/servers/platforms/warranty/index.html>

QuickSpecs

HP ProLiant DL385 Generation 5 (G5)

Standard Features

NOTE: For a brief, printer friendly data sheet that describes this product and informs you of the essential capabilities and specifications, please visit: <http://h71028.www7.hp.com/ERC/downloads/4AA1-7824ENW.pdf>.

NOTE: For the Standard Features shipped in the "Factory Integrated Models", please see the "Configuration Information - Factory Integrated Models" section.

Processor
One of the following depending on Model

AMD Opteron™ Processor 2356 (2.3 GHz, 75 Watts)
AMD Opteron™ Processor 2352 (2.1 GHz, 75 Watts)
AMD Opteron™ Processor 2347 HE (1.9 GHz, 55 Watts)

NOTE: Processor wattage references reflect Average CPU Power (ACP). For more information on ACP visit: <http://www.amd.com/powernow>.

NOTE: Up to 2 processors supported. High Performance Model configurations include two processors, Upgraded memory to 512, BBWC, DVD/CDRW and Redundant Power Supply.

Cache Memory 2MB (4 x 512KB) Level 2 cache and 2MB (1 x 2MB) Level 3 cache

Chipset Serverworks HT-2100 Northbridge and HT-1000 Southbridge Chipset

Upgradeability Upgradeable to 2 processors

Memory Protection Advanced ECC

Memory

Type	
	PC2-5300 DIMMs (DDR2-667) Select models support 2:1 Interleaving, with Bank Interleaving (Data saved across 2 pairs of DIMMs) and Node interleaving support (data saved across 2 processors memory sets) available. NOTE: DIMM banks are active only when the corresponding processor socket is populated.
Standard (Entry, Base Models)	2 GB (2 x 1 GB)
Standard (Performance Models)	4 GB (4 x 1 GB)
Maximum	64 GB (8 x 8 GB)

Network Controller Two embedded NC373i Multifunction Gigabit Network Adapters with TCP/IP Offload Engine, including