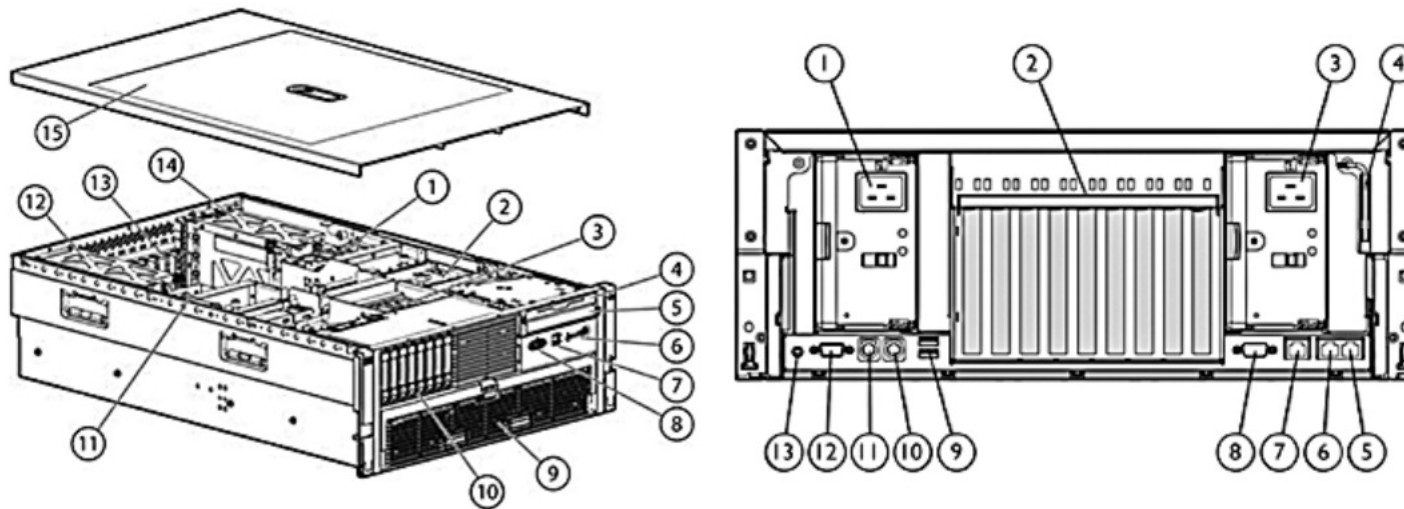


# QuickSpecs

HP ProLiant DL585 Generation 6 (G6)

## Overview

Powered by Latest AMD Opteron® Six-Core Processors DL585 G6 is positioned as the leading performance 4P multi-core rack mount server with the expansion capabilities to make it ideal for server virtualization, server consolidation, multi-tiered enterprise application, and corporate infrastructure applications.



### Front View:

1. Hot Plug Redundant Fans (standard)
2. System Insight Display
3. Hot Plug Redundant Fans (standard)
4. 1.44 MB Diskette Drive bay
5. DVD/CD-RW drive (standard)
6. Front Panel LED Display (internal and external health, Unit ID light) and Power Button
7. Two USB ports
8. One video port
9. Front accessible processor / memory cage
10. Eight bay Small Form Factor (SFF) Serial Attached SCSI (SAS) drive cage
11. 4U (7" Height) Rack Form Factor
12. Hot Plug Redundant Power Supply

### Rear View:

1. Redundant hot-plug power supply (optional)
2. PCI Express and PCI-X non-hot-plug expansion slots
3. Hot-plug power supply (primary)
4. T-15 Torx screwdriver
5. NIC connector 2
6. NIC connector 1
7. Integrated Lights-Out 2 (iLO 2) connector
8. Serial connector
9. USB connectors (two)
10. Mouse connector
11. Keyboard connector
12. Video connector
13. Rear UID button and LED

# QuickSpecs

HP ProLiant DL585 Generation 6 (G6)

## Standard Features

NOTE: For the Standard Features shipped in the "Factory Integrated Models", please see the "Configuration Information - Factory Integrated Models" section.

### Processor

Two or four of the following depending on model

### Six-Core Processors

AMD Opteron™ processor Model 8439SE (2.8 GHz, 105W ACP)

AMD Opteron™ processor Model 8425HE (2.1 GHz, 55W ACP)

AMD Opteron™ processor Model 8435 (2.6 GHz, 75W ACP)

AMD Opteron™ processor Model 8431 (2.4 GHz, 75W ACP)

NOTE: Processor wattage references reflect Average CPU Power (ACP). For more information on ACP visit: <http://www.amd.com/powernow>.

---

### Cache Memory

6 MB Level 3 cache memory

---

### Chipset

NVIDIA NForce Professional 2200 and 2050 chipsets, and AMD-8132 chipset

---

### Upgradeability

Upgradeable to quad (4) processors

---

### Memory Protection

Advanced ECC capabilities

---

### Memory

Type	32 slots of REG PC2-6400 DIMMs (DDR2-800)
Standard	16 GB (8 x 2 GB)
Maximum	256 GB (32 x 8 GB)

---

### Network Controller

Two embedded NC371i Multifunction Gigabit Network Adapters with TCP/IP Offload Engine, including support for Accelerated iSCSI through an optional Licensing Kit

---

# QuickSpecs

## HP ProLiant DL585 Generation 6 (G6)

### Standard Features

#### Expansion Slots

NOTE: 9 total slots: (3) x8 PCI-Express; (4) x4 PCI-Express; (2) PCI-X (100MHz). One slot populated with the HP Smart Array P410 Controller

Expansion Slots #	Technology	Bus Width	Connector Width	Bus Number	Device No.	Form Factor	Notes
1	PCI-X	64-bit	N/A	66	1	Full height or half length	
2	PCI-X	64-bit	N/A	66	2	Full length, full height	
3	PCI-Express	x4	x8	73	0	Full length, full height	100MHz
4	PCI-Express	x4	x8	76	0	Full length, full height	100MHz
5	PCI-Express	x8	x16	70	0	Full length, full height	
6	PCI-Express	x4	x8	79	0	Full length, full height	100MHz
7	PCI-Express	x8	x16	2	0	Full length, full height	100MHz
8	PCI-Express	x8	x16	5	0	Full length, full height	Reserved slot for Smart Array P410 Controller
9	PCI-Express	x4	x8	8	0	Full height or half length	

#### Storage Controller

HP Smart Array P410/512 MB BBWC Controller (RAID 0/1/1+0/5/5+0)

Available upgrades: 256MB, 512MB with BBWC, 512MB with FBWC, 1G with FBWC, Battery kit upgrade (for the 256MB cache), and Smart Array Advanced Pack (SAAP)

The Battery-Backed Write Cache (BBWC) Enabler for the Smart Array P410 Controller protects up to 512-MB write cache memory from hard boot, power, controller, or system board failures.

- Standard on most HP ProLiant DL585 G6 models
- Battery charge/life: Up to 48 hours/3 years
- Transportable data protection
- Increases overall controller performance

NOTE: Safely transport your write cache data to another HP ProLiant DL585 G6 in the data center by

# QuickSpecs

## HP ProLiant DL585 Generation 6 (G6)

### Standard Features

Internal Storage Devices	Diskette Drive	1.44MB Diskette Drive bay available
	Optical Drive	Slimline DVD/CD-RW Drive Standard on some models - ejectable for security and serviceability
	Hard Drives	None standard
	Hard Disk Drive Backplane	Internal SAS backplane supports up to eight SFF hard disk drives

---

Maximum Internal Storage	Hot Plug SFF SAS	8.0 TB	8 x 1TB SFF SAS (internal hot plug)
	Hot Plug SFF SATA	8.0 TB	8 x 1TB SFF SATA (internal hot plug)

---

Interfaces	Serial	1
	Video	1 front, 1 rear
	Network RJ-45 (Ethernet)	2
	iLO 2 Remote Management port	1
	Keyboard	1
	Pointing Device (Mouse)	1
	USB 2.0 Ports	2 front, 2 rear, 1 internal
		NOTE: Please see the following URL for additional information regarding USB support: <a href="http://h18004.www1.hp.com/products/servers/platforms/usb-support.html">http://h18004.www1.hp.com/products/servers/platforms/usb-support.html</a>

---

Industry Standard Compliance	ACPI 1.0a. Compliant
	PCI 2.2 Compliant
	PXE Support
	WOL Support (with embedded NC371i Multifunction Gigabit Network Adapters)
	Physical Address Extension (PAE) Support
	Microsoft® Logo certifications
	USB 2.0 Support

---

Server Power Cords	The HP ProLiant DL585 G6 servers ship standard with a 6-foot IEC 320-C14 to IEC320-C19 jumper cord. If you require a power cord, please check the Power Specifications below for the appropriate power cord, or consult the Power Cord Matrix: <a href="http://www.hp.com/products/powercords">http://www.hp.com/products/powercords</a>
--------------------	--

### Standard Features

#### Operating Systems and Virtualization Software Support for ProLiant Servers

Microsoft Windows Server  
Microsoft Windows Server Hyper-V  
Red Hat Enterprise Linux (RHEL)  
SUSE Linux Enterprise Server (SLES)  
Solaris  
VMware  
HP Citrix Essentials for XenServer

NOTE: For more information on HP's Certified and Supported ProLiant Servers for OS and Virtualization Software and latest listing of software drivers available for your server, please visit our Support Matrix at: [www.hp.com/go/ossupport](http://www.hp.com/go/ossupport) and our driver download site [www.hp.com/support/DL585G6](http://www.hp.com/support/DL585G6)

#### Graphics

Integrated ATI RN-50 1600x1280x64K 16M color (32 MB DDR1 memory)

#### Form Factor

Rack (4U = 7 inches), ships with sliding rails and cable management system  
Space saving form factor (4U) provides space efficiencies while providing maximum deployment flexibility

#### HP Insight management software

HP Insight Foundation

Managing the growing number of servers can be complex and expensive for your organization. IT managers need to address changing business needs with tools that meet the challenges of managing today's complex Datacenters.

HP provides management solutions that are designed to simplify a server's installation, configuration and maintenance throughout the entire server lifecycle. This provides the customer with higher levels of operational efficiency and highly reliable systems: <http://www.hp.com/go/foundation>.

The foundation pack includes:

- HP SmartStart
- HP Management DVD
- HP ProLiant Smart Update Firmware DVD

NOTE: In an effort to support reducing our environmental impact, the HP Insight Foundation Suite for ProLiant media will be available as a selectable option for this server at time of order of a CTO SKU. This will allow customers to order the number of media kits that best meet their needs and eliminate receiving unnecessary duplicate media.

HP Integrated Lights Out

HP Integrated Lights Out (iLO) simplifies server setup, health monitoring,